

# DATA SHEET PLAYPOINT WITHOUT IMPACT PROTECTION FLOVA CALA

Text for invitation to tender | Item No: 513410401



## MATERIALS | SCOPE OF SUPPLY

Playpoint, pre-mounted completely

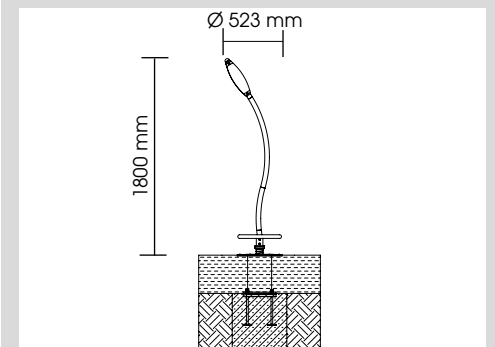
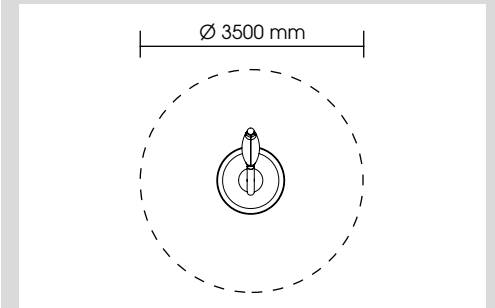
Handles:	stainless steel, V2A, with an element made of EPDM caoutchouc and tube end cap made of stainless steel, 1 piece
Base plate:	stainless steel, V2A coated with EPDM granules with bearing at the bottom
Foundation anchor:	galvanized steel

## TECHNICAL INFORMATION

Dimensions:

Main dimension:	Ø 523 mm
Height:	1800 mm
Weight:	60 kg
Capacity:	acc. to normative requirements
Dimension largest piece:	Ø 500 x 1400 mm
Heaviest piece:	38 kg

Max. fall height:	200 mm
Minimum space:	Ø 3500 mm
Recommended surface material:	optional, except sand The ground should be smooth and free of edges.



## INSTALLATION

Foundations: 1

Installation according to our detailed mounting instructions, see [www.stilum.com](http://www.stilum.com)

